

A1 INSTALLATION DRAWING

IF THIS DOCUMENT IS PRINTED IN HARDCOPY, IT IS FOR INFORMATION USE ONLY AND THEREFORE IS NOT SUBJECT TO UPDATING CONTROLS. ALWAYS REFER TO SOLIDWORKS VIEWER FOR LATEST ISSUE



THIS DRAWING IS CONFIDENTIAL AND IS SUPPLIED ON THE EXPRESS CONDITION THAT IT SHALL NOT BE LOANED OR COPIED OR DISCLOSED TO ANY OTHER PERSON OR USED FOR ANY OTHER PURPOSE WITHOUT THE WRITTEN CONSENT OF AP RACING LTD.



AP Racing
Wheler Road
Coventry
CV3 4LB

Tel: +44 (0) 24 7663 9595
Fax: +44 (0) 24 7663 9559
e-mail: engineering@apracings.co.uk
Web site: http://www.apracings.com

© AP Racing Ltd. 2005

WEIGHT.....0.29KG (0.64LB)
FULL STROKE.....25.4 (1.0")
30.0 (1.18") FOR -88 & 89 ONLY.

TRAVEL TO CUT-OFF
EXTRA SHORT.....0.48 TO 0.63
(0.019" TO 0.025")

HYDRAULIC THREADS.....7/16" x 20UNF INLET
3/8" x 24UNF OUTLET

BODY MATERIAL.....ALUMINIUM ALLOY

TYPICAL APPLICATIONS.....FOR USE IN ALL CARS

GENERAL DESCRIPTION:
BULK HEAD MOUNTING CYLINDER. A COMPACT MASTER CYLINDER WHICH HAS BEEN DESIGNED WITH A 'CENTRE LOCK' BULK HEAD FIXING TO MEET THE INSTALLATION REQUIREMENTS OF COMPOSITE STRUCTURE RACING CARS. THE INLET AND OUTLET PORTS ARE POSITIONED AT THE END OF THE MASTER CYLINDER AWAY FROM THE BULKHEAD TO PROVIDE CLEARANCE FOR STEERING RACKS, WHERE REQUIRED.

CP4400 MASTER CYLINDER IS AVAILABLE WITH THE FOLLOWING BORE SIZES 14.0mm, 15mm, 5/8", 16.8mm, 0.7", 3/4", 13/16", 7/8" AND 15/16".

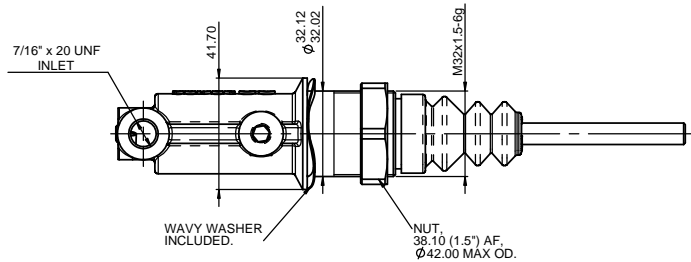
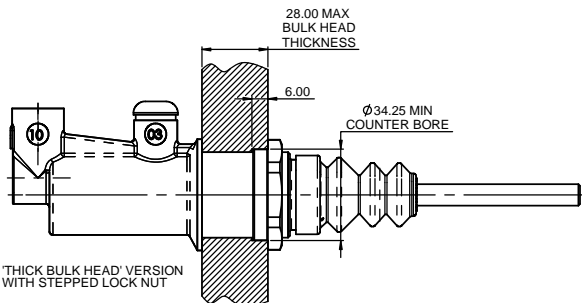
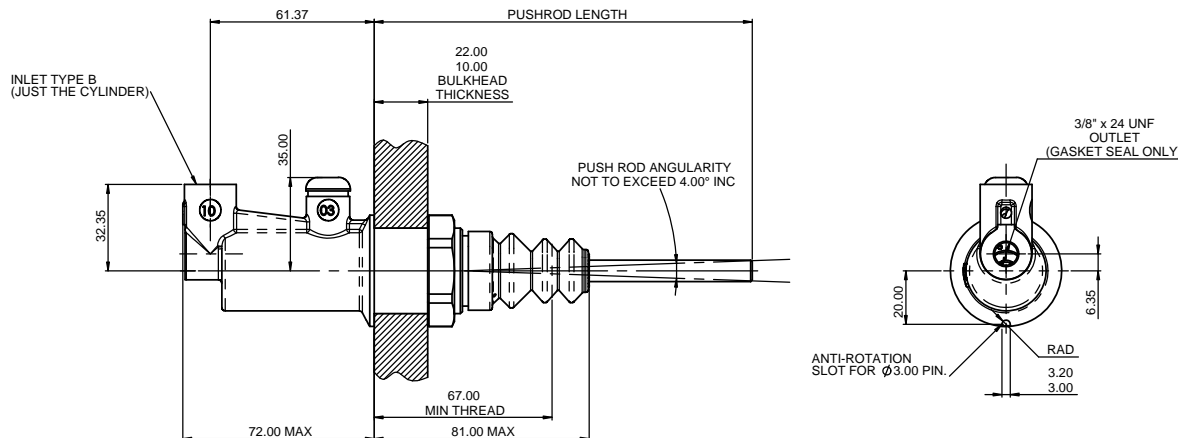
PUSHRODS ARE AVAILABLE IN THE FOLLOWING LENGTHS: 135mm (5.31") AND 180mm (7.08"). NON-STANDARD LENGTHS AVAILABLE ON REQUEST.

PUSHROD TYPES:
PRT - PUSH ROD THREADED 5/16" UNF
PRM - PUSH ROD THREADED M8 x 1.25
PUSH ROD LENGTHS ARE MEASURED FROM THE MOUNTING FLANGE.

IMPORTANT NOTE:
CP4400 MASTER CYLINDER IS INDIVIDUALLY SHIMMED DURING ASSEMBLY TO MINIMISE FREE PLAY. THEREFORE PUSH RODS SHOULD NOT BE SWITCHED BETWEEN INDIVIDUAL MASTER CYLINDER ASSEMBLIES.

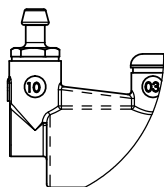
ORDERING:
WHEN ORDERING PLEASE STATE PUSHROD TYPE AND LENGTH REQUIRED AND ADD E IF EXTRASHORT CUT-OFF IS REQUIRED. ALSO SPECIFY WHICH TYPE OF INLET IS REQUIRED. e.g. CP2623-90PRT115E INLET TYPE 'A'.

AP RACING TECHNICAL SECTION WILL BE PLEASED TO ADVISE ON THE MOST SUITABLE EQUIPMENT FOR ANY APPLICATION.



NOTE:
PUSHROD EXTENSIONS THAT GIVE A TOTAL LENGTH OF OVER 200mm ARE NOT RECOMMENDED. IT IS THE CUSTOMERS RESPONSIBILITY TO CHECK SUITABILITY OF PUSHROD AND EXTENTION PIECES TO TAKE APPLIED LOADS.

BORE SIZE	PART NUMBERS		REPAIR KIT NUMBERS
	NORMAL BULKHEAD THICKNESS	THICK BULKHEAD THICKNESS	
14.0 mm (0.55")	CP4400-88	-	CP2623-88RK
15.0 mm (0.59")	CP4400-89	CP4400-490	CP2623-89RK
15.8 mm (5/8")	CP4400-90	-	CP2623-90RK
16.8 mm	CP4400-90S	CP4400-491	CP2623-90SRK
17.8 mm (0.70")	CP4400-91	CP4400-492	CP2623-91RK
19.1 mm (3/4")	CP4400-92	-	CP2623-92RK
20.6 mm (13/16")	CP4400-93	-	CP2623-93RK
22.2 mm (7/8")	CP4400-94	-	CP2623-94RK
23.82 mm (15/16")	CP4400-95	-	CP2623-95RK



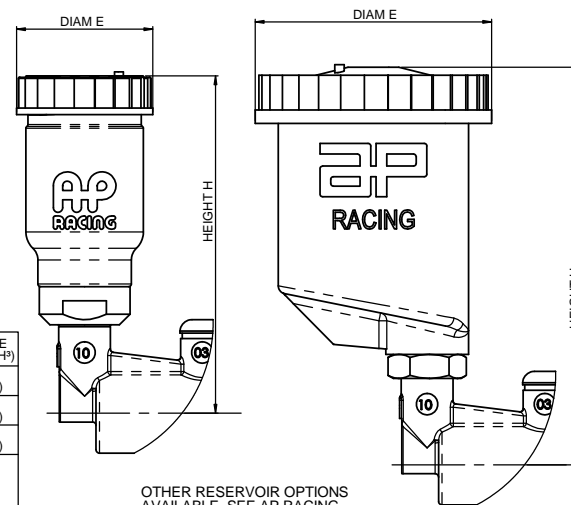
INLET TYPE 'A'

SELECT MASTER CYLINDER WITH INLET TYPE 'B', PLUS INLET ADAPTOR KIT PART NUMBER CP2623-30

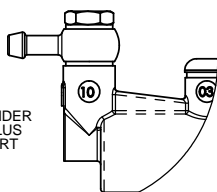
INLET TYPE 'C'

SELECT MASTER CYLINDER WITH INLET TYPE 'B', PLUS RESERVOIR FROM PART NUMBER CHART BELOW.

PLEASE NOTE:
TO FIT CP4709 TYPE RESERVOIRS THE INLET ADAPTOR AND COPPER GASKET ARE TO BE REMOVED. FITTING INSTRUCTIONS SUPPLIED WITH RESERVOIR.



OTHER RESERVOIR OPTIONS AVAILABLE. SEE AP RACING HYDRAULIC ACTUATION CATALOGUE



INLET TYPE 'D'

SELECT MASTER CYLINDER WITH INLET TYPE 'B', PLUS INLET ADAPTOR KIT PART NUMBER CP2623-41.

RESERVOIR PART NUMBER	HEIGHT H mm (INCH)	DIAM E mm (INCH)	VOLUME cm ³ (INCH ³)
CP4709-13	126.3 (5.0")	51.0 (2.0")	75.0 (11.63")
CP4709-14	166.25 (6.55")	51.0 (2.0")	123.0 (19.07")
CP4709-15	216.25 (8.51")	51.0 (2.0")	183.0 (28.37")
CP2293-141 (WITH DIAPHRAGM)	150.0 (5.90")	88.5 (3.50")	340.0 (20.7")
CP2293-143 (NO DIAPHRAGM)			

EXAMPLE PART NUMBER

CP4400-90 PRT 135 E

MASTER CYLINDER TYPE & SIZE
PUSH ROD THREAD
PUSH ROD LENGTH
EXTRA SHORT CUT-OFF

Issue No.	Date & No.	Particulars	Alterations	
			Zone	Initials
7	21/08/2009 B5602	RE-DRAWN ON SOLIDWORKS	#	CD
8	03/08/12	'GASKET SEAL ONLY' NOTE ADDED TO HYDRAULIC OUTLET	K14	JH
9	03/03/16 B7484	DIA 32.12/32.02 WAS 32.00/31.90	8G	SAT

SCALE 1:1	SHEET 1 OF 1
DRAWN	Chris Arrowsmith
APPROVED	
DERIVED FROM	
TITLE	BULKHEAD MASTER CYLINDER
DRG NO.	CP4400-1CD